

SET-UP SHEET

VER.01 ©XRAY

XRAY X4F'23

RACE **GP3F Nr.18**
 TRACK **Mrc Longwy**
 NAME **Jacques Libar** DATE **22.01.2023**

TRACK TEMPERATURE	QUAL POSITION	FINAL POSITION	BEST LAPTIME	LAPS	TIME
	1	1	13.5 /sec		

TRACK

TRACK SURFACE CARPET ASPHALT

TRACK LAYOUT TECHNICAL MIXED FAST

TRACTION LOW MEDIUM HIGH

FRONT TRANSMISSION REAR

GEAR DIFFERENTIAL - OIL **200K** /cst

PINION / T	SPUR GEAR / T	FINAL DRIVE RATIO
38	90	4.5

FRONT	SHOCKS	REAR
2.5-2.8	XRAY SPRINGS	2.5
350	OIL /cst	350
/	REBOUND %	/
<input type="checkbox"/> YES <input checked="" type="checkbox"/> NO	FOAM INSERTS	<input type="checkbox"/> YES <input checked="" type="checkbox"/> NO

PISTONS

<input type="checkbox"/> 3 HOLES	<input type="checkbox"/> 1.0mm	<input type="checkbox"/> 3 HOLES
<input checked="" type="checkbox"/> 4 HOLES	<input checked="" type="checkbox"/> 1.1mm	<input checked="" type="checkbox"/> 4 HOLES
<input type="checkbox"/> PSS	<input type="checkbox"/> 1.2mm	<input type="checkbox"/> PSS

SHOCK LENGTH FRONT **8.5** /mm

SHOCK LENGTH REAR **8.5** /mm

1.4 THICKNESS/mm **ANTI-ROLL BAR** THICKNESS/mm **1.3**

Ride silver **Hudy Red** 30 min

TIRES **Hudy Red** 30 min

ADDITIVE **Hudy Red** 30 min

ADDITIVE TIMING **30 min**

FRONT LEFT FRONT RIGHT REAR LEFT REAR RIGHT

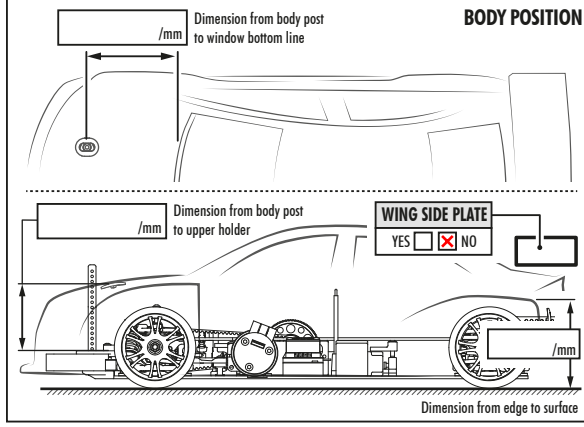
TREATED AREA

TOTAL WEIGHT **1256** /g WEIGHT BALANCE FRONT **67** % REAR **33** %

MOTOR **Team Zombie 17.5 T** TIMING

ESC **HW stock Spec** BATTERIES **Nosram 4200**

BODY **Blitz YRS** WING **std**



COMMENTS
Dampers from X4 23

