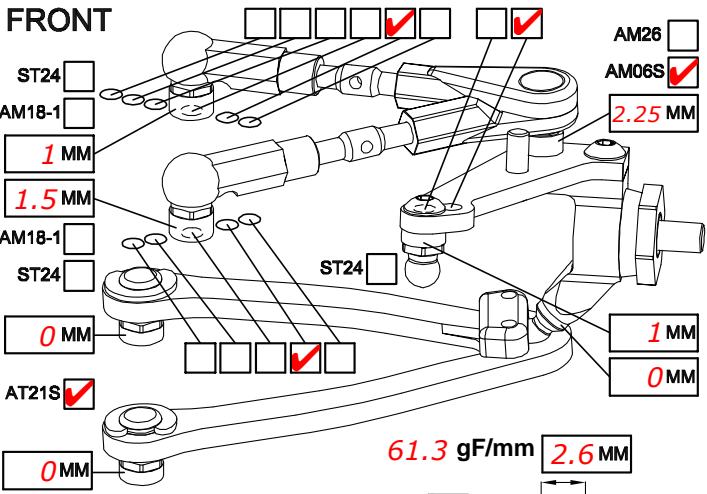
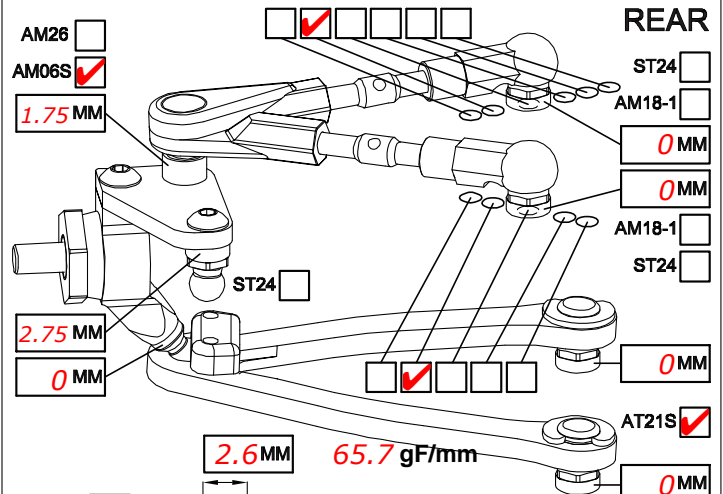
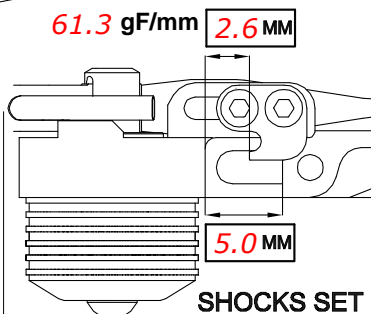


NAME **Michael Hanulec**  
 COUNTRY **USA**  
 RACE **Saturday Club Race - 17.5T**  
 TRACK **Jackson RC**

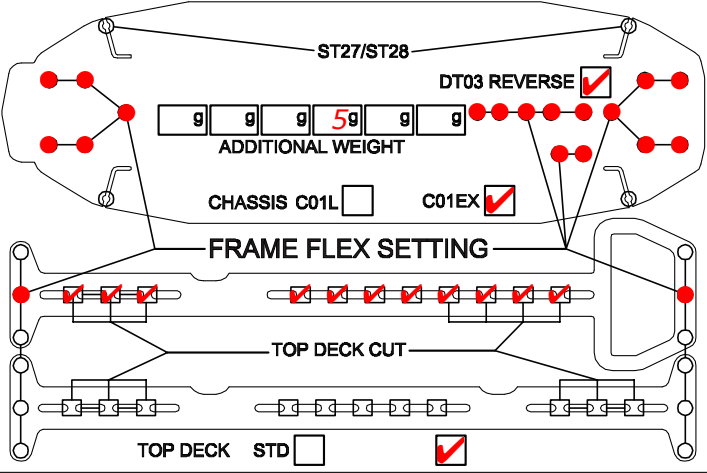
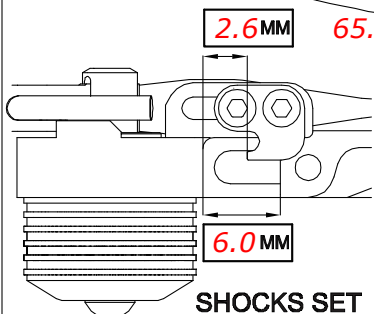
DATE **June 1 2013** TEMP.°C AIR / TRACK **90°F / 135°F**  
 CARPET  ASPHALT   
 TRACK CONDITION TECHNICAL  MIXED  FAST   
 TRACTION LOW  MEDIUM  HIGH



CAMBER ANGLE / °	1.75
CASTER ANGLE / °	4
TOE ANGLE / °	0
RIDE HEIGHT / MM	6
DOWNSTOP / MM	1.5 orh
UPSTOP / MM	NA
STABILIZER Ø / MM	1.0
LOW ARM	STD <input checked="" type="checkbox"/> <input type="checkbox"/>
STEERING ARM	STD <input checked="" type="checkbox"/> <input type="checkbox"/>
WHEEL SPACER / MM	0
FRONT DRIVE	BALL DIFF <input type="checkbox"/> GEAR DIFF <input type="checkbox"/> SPOOL <input checked="" type="checkbox"/> ONE-WAY <input type="checkbox"/>
DIFF SET	LOOSE <input type="checkbox"/> MEDIUM <input type="checkbox"/> TIGHT <input type="checkbox"/> OIL <input type="checkbox"/> #
DOGBOONE DRIVE	BUSHING <input checked="" type="checkbox"/> C-DRIVE <input type="checkbox"/> BB <input type="checkbox"/> EVD <input checked="" type="checkbox"/>

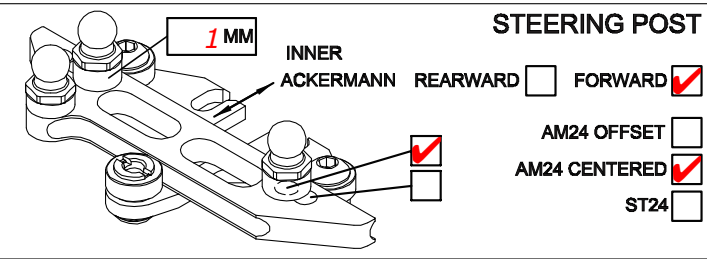


CAMBER ANGLE / °	1.75
CASTER ANGLE / °	0
TOE ANGLE / °	3
RIDE HEIGHT / MM	6
DOWNSTOP / MM	2 orh
UPSTOP / MM	NA
STABILIZER Ø / MM	1.0
LOW ARM	STD <input checked="" type="checkbox"/> <input type="checkbox"/>
STEERING ARM	STD <input checked="" type="checkbox"/> <input type="checkbox"/>
WHEEL SPACER / MM	0
REAR DRIVE	BALL DIFF <input type="checkbox"/> GEAR DIFF <input checked="" type="checkbox"/>
DIFF SET	LOOSE <input type="checkbox"/> MEDIUM <input type="checkbox"/> TIGHT <input type="checkbox"/> OIL <input type="checkbox"/> # <b>3k ASC</b>
DOGBOONE DRIVE	BUSHING <input checked="" type="checkbox"/> C-DRIVE <input type="checkbox"/> BB <input type="checkbox"/> EVD <input type="checkbox"/>



TIRES	FRONT	REAR
BRAND	Solaris	Hard
INSERTS	Premount	
WHEELS		
ADDITIVE	Gravity	LG2

MOTOR LAYOUT	LONG <input checked="" type="checkbox"/> TRANS <input type="checkbox"/>	MOTOR	Team Powers
SERVO LAYOUT	LEFT <input checked="" type="checkbox"/> RIGHT <input type="checkbox"/>	SERVO	Sanwa
ESC LAYOUT	LEFT <input checked="" type="checkbox"/> RIGHT <input type="checkbox"/>	ESC	ORCA
BAT. LAYOUT	R1 <input type="checkbox"/> R2 <input type="checkbox"/> F1 <input checked="" type="checkbox"/> F2 <input type="checkbox"/>	BATTERY	ORCA
SPUR	60T 48p	RECEIVER	Sanwa
PINION	BIG	MOTOR OFFSET / MM	0
FINAL DRIVE RATIO		WING	LTC-R LtWt
BODY	LTC-R LtWt Mounted 5mm fwd		



BEST LAPTIME **15.3** QUALIF. / FINAL POSITION **2 / 2**  
 ESC SETTING **Blinky**  
 COMMENTS / IMPRESSIONS **1) Top deck cut into t-shape**  
**2) AM19 front and rear; 3) top 5.3mm balls and ends on upper camber links**  
**4) rear oil thickness and increased rear droop helped onpower traction**  
 CONTACT **www.awesomatixusa.com**