

SET-UP SHEET

X4'23 SET-UP SHEET VER.1 ©XRAY

XRAY X4'23

RACE	GP3F 2023		
TRACK	Longwy		
NAME	Duchet Alexandre	DATE	22/01/23

QUAL POSITION	FINAL POSITION	BEST LAPTIME	LAPS	TIME
2	1	11.5 /sec	/	

TRACK	
TRACK SURFACE	<input checked="" type="checkbox"/> CARPET <input type="checkbox"/> ASPHALT
TRACK LAYOUT	<input type="checkbox"/> TECHNICAL <input checked="" type="checkbox"/> MIXED <input type="checkbox"/> FAST
TRACTION	<input type="checkbox"/> LOW <input checked="" type="checkbox"/> MEDIUM <input type="checkbox"/> HIGH

FRONT	TRANSMISSION	REAR
GEAR DIFF OIL	<input checked="" type="checkbox"/> FRONT SOLID AXLE	GEAR DIFF OIL 7000 /cSt
PINION 40 /T	SPUR GEAR 100 /T	FINAL DRIVE RATIO 4.75

FRONT	SHOCKS	REAR
2.5/2.8	XRAY SPRINGS	2.6
425	OIL /cSt	425
0	REBOUND %	0
<input type="checkbox"/> YES <input checked="" type="checkbox"/> NO	FOAM INSERTS	<input type="checkbox"/> YES <input checked="" type="checkbox"/> NO

<input type="checkbox"/> 4 HOLES	1.1mm	1.1mm	4 HOLES
<input checked="" type="checkbox"/> PSS	1.2mm	1.2mm	PSS
2 holes		2 holes	
SHOCK LENGTH 8.5 /mm		SHOCK LENGTH 8.5 /mm	

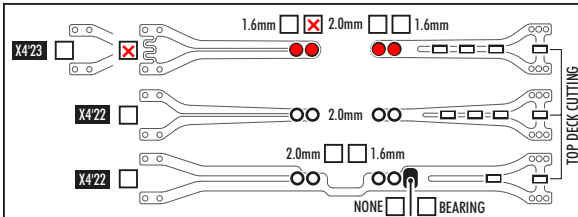
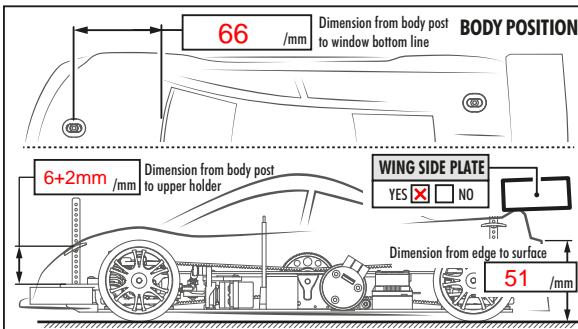
1.2	THICKNESS/mm	ANTI-ROLL BAR	THICKNESS/mm	1.2
-----	--------------	---------------	--------------	-----

Rush	TIRES	Rush
Hudy red	ADDITIVE	Hudy red
15min	ADDITIVE TIMING	15min

FRONT LEFT	FRONT RIGHT	REAR LEFT	REAR RIGHT
TREATED AREA			

TOTAL WEIGHT 1305 /g	WEIGHT BALANCE	FRONT 49 %	REAR 51 %
----------------------	----------------	------------	-----------

MOTOR	Orca Blitreme 2 13.5T	TIMING	
ESC	Orca WLE OE1	BATTERIES	Orca 6090
BODY	Wolverine Max 0.5 mm	WING	Wolverine 0.5



COMMENTS
Clean the tire with break cleaner .

